



Product Description

High performance stability LED Driver . Specially design for MIRON MR16 Products. Dimmable with Triac dimmer .

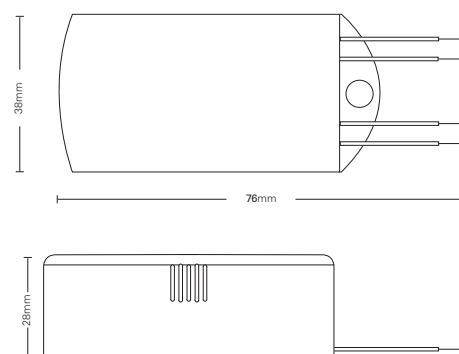
Benefits

- Flexible dimming with leading and trailing edge dimmers
- Environment friendly without Hum and Noise (<30dB at 1m distance)
- Easy luminaire design with compact dimension

Features

- One universal driver (220~240V, 50/60Hz)
- Overheating protection
- Quick ignition time (<0.8s)
- 20k Hours @Tc=65°C with 90% survival
- Lead wire
- >0.95 power factor
- SELV Application
- Indoor residential: living rooms, decorative and accent lighting
- In professional areas: reception areas, offices, retail area and exhibition rooms Warnings and Safety
- Transformer is not suitable for DC operation

高性能驱动器。专为MIRON MR16产品设计。可进行可控硅方式调光。



Product Name/产品名称	MIRON Electronic Transformer E10-ET
Dimension/尺寸	76mm(L)*38mm(W)*28mm(H)
Wattage/瓦数	2W - 10W
Dimming Method/调光方式	Leading and Trailing Edge
Available Color/外壳颜色	Milky white
Certification/证书	IEC61347-1 IEC61347-2-13 IEC60068-2-6 Fc IEC60068-2-29 Eb SELV, CB RoHS Compliance