

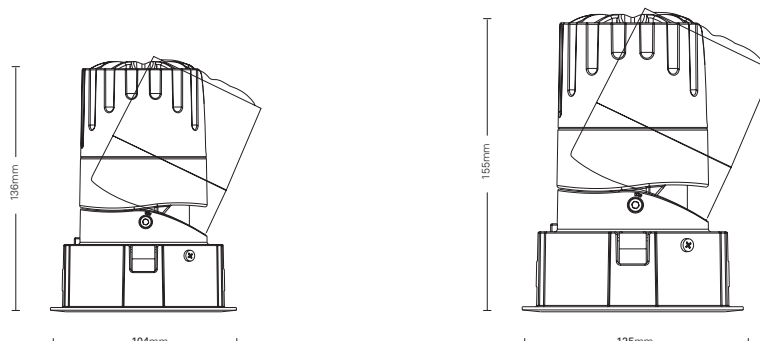


Product Description

Magnetic Adsorption Technology , Light , Square Reflector Recessed COB square Tilted Downlight luminaire , Die-cast Aluminum Alloy Housing with advance powder spray technology , anti-oxidation and anti-corrosion . Designed and equipped with anti-glare baffle accessories.

Applications: For star-rated hotels, restaurants, bars, boutiques, clubs, entertainment places, exhibition centers, museums, offices, opera houses, stores, homes, villas, etc.

磁吸附技术，轻型，方形反射器嵌入式COB圆形倾斜筒灯，选用压铸式铝合金外壳，采用先进的粉末喷涂技术，有效提高抗氧化性和防腐性，设计并配备防眩光挡板。



Product Name/产品名称	KZ1812	KZ1813
Dimension/尺寸 (with Trim/有边框)	104mm*104mm*136mm	125mm*125mm*155mm
Dimension/尺寸 (Trimless/无边框)	125mm*125mm*136mm	-
Lamp Source/光源	CITIZEN COB	CITIZEN COB
Wattage/瓦数	15W/18W/20W	20W/25W/30W
Luminous Flux/光通量	944lm/1142lm/1207lm(2700K)	1207lm/1555lm/1603lm(2700K)
Luminaire Efficacy/光效	62 lm / W, 63 lm / W, 60 lm / W	60 lm / W, 62 lm / W, 53 lm / W
Color Temperature/色温	2700K/3000K/4000K	2700K/3000K/4000K
CRI/显色指数	90	90
Dimming Method/调光方式*	0-10V Dali, Triac	0-10V Dali, Triac
Beam Angle/光束角	Adjustable beam angle 20°-36° (可调焦)	Adjustable beam angle 20°-36° (可调焦)
Fix Beam Angle (Opt) /固定光束角	20° / 28° / 36° / 60°	20° / 28° / 36° / 60°
Tilt Angle/可调角度	30°	30°
Rotation Angle/转动角度	355°	355°
Cut Hole Size/开孔尺寸	95mm*95mm	115mm*115mm
Reflector Colour/反光杯颜色	Black, Gold, Sliver	Black, Gold, Sliver
Available Color/外壳颜色	White, Black	White, Black
Shell material/外壳材质	Aluminum	Aluminum
IP Rating/防护等级	Δ IP20/ # IP44	Δ IP20/ # IP44

KZ1812 / KZ1813